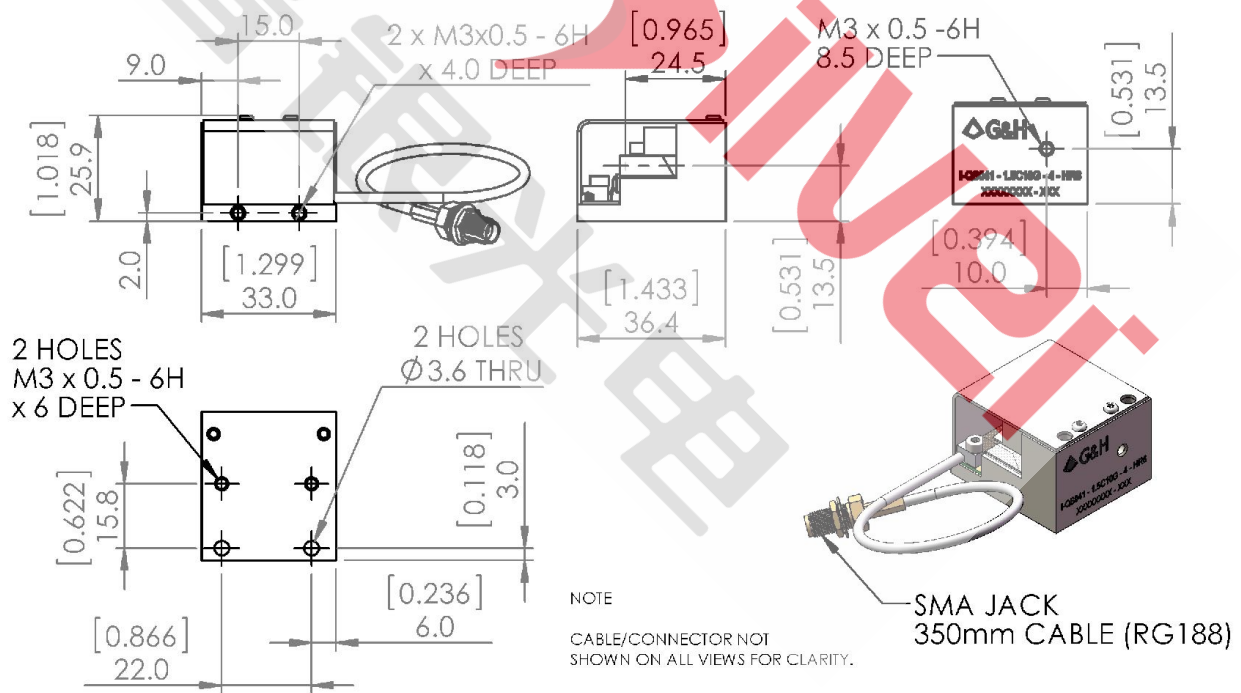


I-QS041-1.5C10G-4-HR6 Specification:

Model No:	I-QS041-1.5C10G-4-HR6
Device:	AO Q-Switch
Interaction material:	Crystal Quartz
Wavelength:	1064nm
Damage threshold:	> 1GW/cm ²
AR coating reflectivity:	< 0.2% per surface
Transmission:	> 99.6%
Frequency:	40.68MHz
Optical polarisation:	Random or linearly polarised (vertical to base)
Active aperture:	1.5mm
Acoustic mode:	Compressional
Separation angle:	7.6mrad
Rise-time (10-90%):	113ns/mm
Loss modulation:	≥ 85% (polarised) ≥ 70% (unpolarised)
Maximum RF power:	20W
Housing:	Refer to drawing



Revision No: 1.0
Date: 29/07/15

Contact: sales@gochandhousego.com

www.gochandhousego.com

As part of our policy of continuous product improvement we reserve the right to change specifications at any time