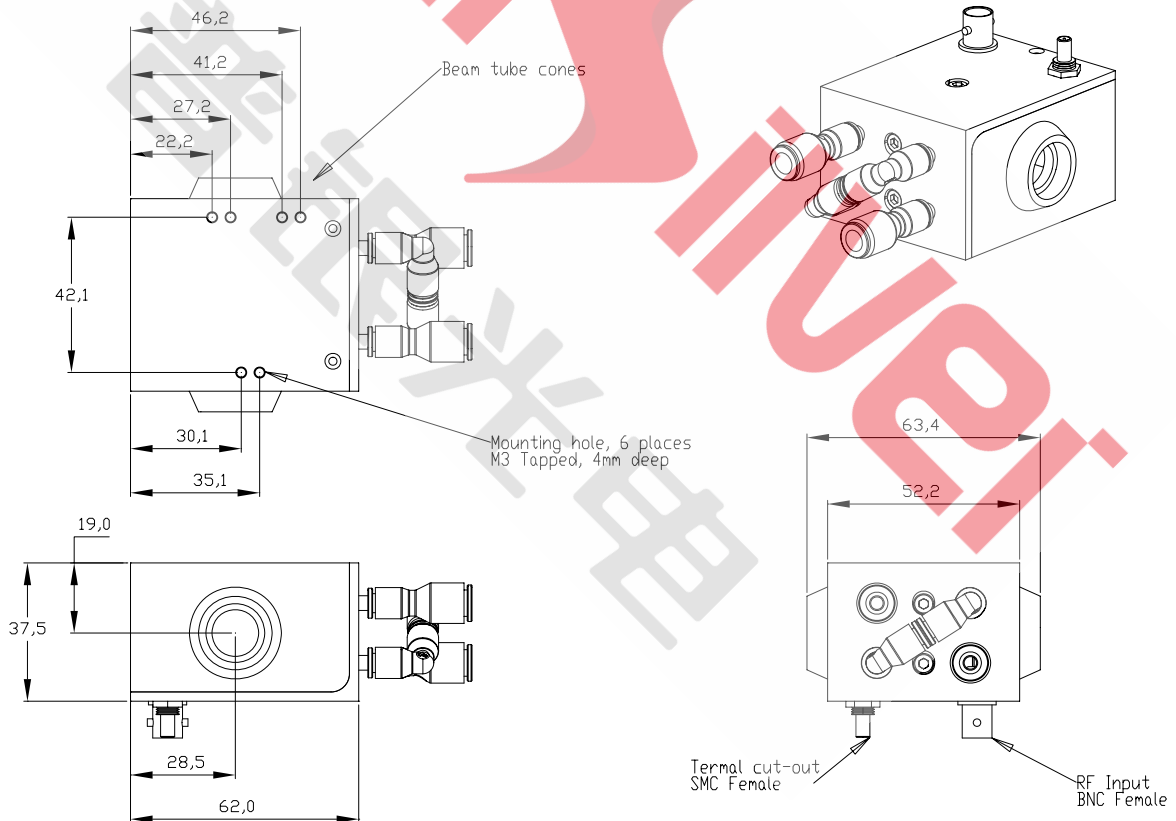


I-QS027-5S4Y-x5-ST1 Specification:

Model No:	I-QS027-5S4Y-x5-ST1
Device:	AO Q-Switch
Interaction material:	Fused Silica
Wavelength:	946nm
Damage threshold:	> 1GW/cm ²
AR coating reflectivity:	< 0.2% per surface
Transmission:	> 99.6%
Frequency:	27.12MHz
VSWR:	< 1.2:1 at 0dBm (50Ω)
Optical polarisation:	Random
Active aperture:	5.0mm
Acoustic mode:	Shear
Loss modulation:	~ 75%
Maximum RF power:	100W
Water flow rate:	> 0.2l / minute
Recommended water temperature:	22°C to 32°C
Thermal switch cut-off:	55°C ± 5%
Housing:	Stallion, St/St 316 water channels
Water Connectors:	Specify: 4 or 6mm OD, straight or R/A



Revision No: 1.0
Date: 16/03/09



Certificate No. FM 28257

Enabling Optical Technologies

Gooch & Housego (UK) Ltd
Dowlsh Ford, Ilminster,
Somerset, TA19 0PF, UK

T +44 (0) 1460 256440 **F** +44 (0) 1460 256441
E sales@goochandhousego.com
W www.goochandhousego.com