

4

3

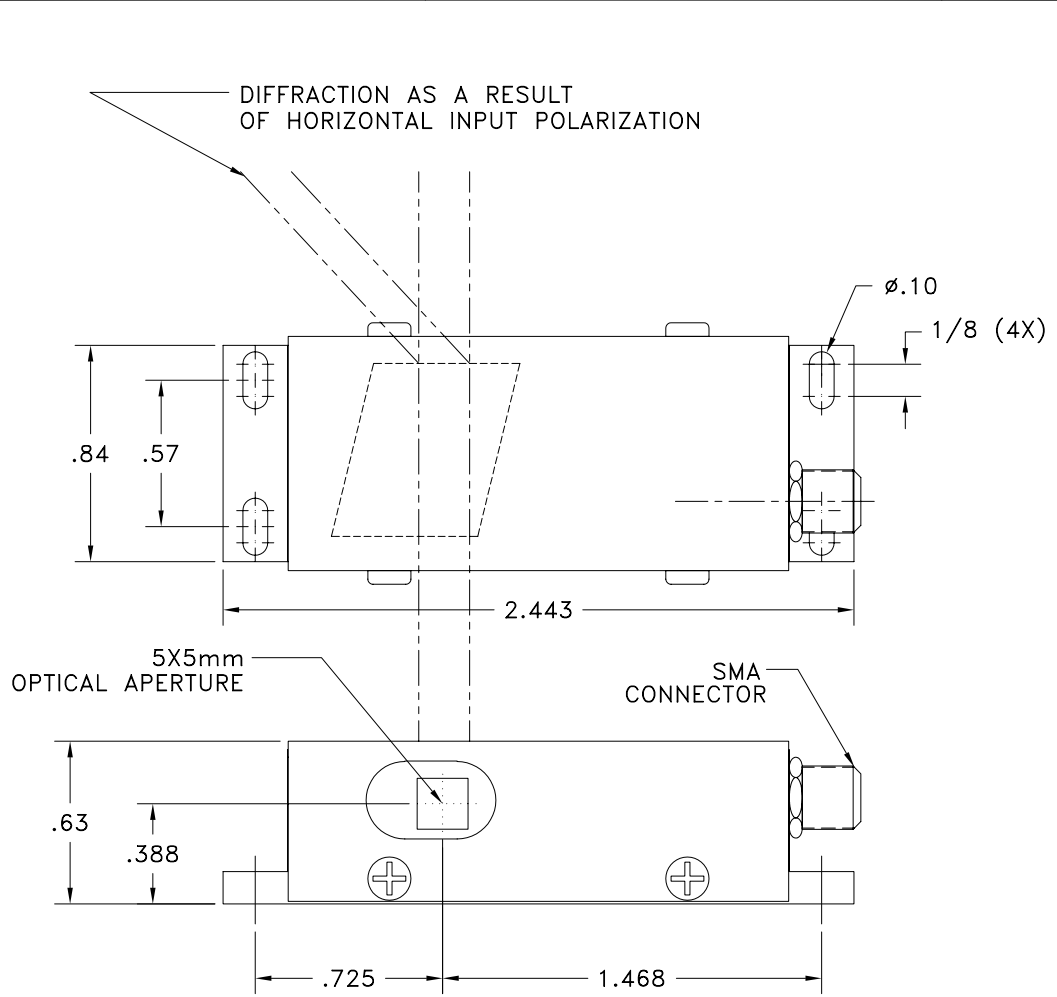
2

1

REVISIONS					
ZONE	REV	DESCRIPTION	ECO NO.	APPD.	DATE
ALL	D	DIM .388 WAS .395	.	NG	5/16/2000


DIFFRACTION AS A RESULT OF HORIZONTAL INPUT POLARIZATION

- WAVELENGTH RANGE: .405 TO .70um
- FREQUENCY RANGE: 106-225MHz
- VSWR(CROSS R.F.BAND) <2.5:1
- STATIC OPTICAL TRANSMISSION (CROSS WAVELENGTH RANGE) >96%
- MINIMUM DIFFRACTION ANGLE (700mm) 5.5°
- DIFFRACTION ANGLE DISPERSION 1.7°
- OPTICAL APERTURE: 5X5mm
- OPTICAL ACCEPTANCE CONE (POLARIZERS NOT REQUIRED) ±2.5°
- SPECTRAL RESOLUTION: 1.15nm @ .40um
7.0nm @ .70um
- SATURATION R.F. POWER .40 WATTS @ .4um
- 85% PEAK OPTICAL DIFFRACTION: 1.2 WATTS @ .7um



For Reference Only

THIS DOCUMENT IS THE PROPERTY OF CRYSTAL TECHNOLOGY, INC. IT IS NOT TO BE REPRODUCED OR DISCLOSED IN WHOLE OR IN PART OTHER THAN BY EMPLOYEES OF CRYSTAL TECHNOLOGY AND ITS CONTRACTED REPRESENTATIVES AND DISTRIBUTORS ANY EXCEPTION REQUIRES THE WRITTEN CONSENT OF AN AUTHORIZED REPRESENTATIVES OF CRYSTAL TECHNOLOGY.

FINISH: SEE NOTES		CONTRACT NUMBER			Crystal Technology, Inc.	
MATERIAL: SEE NOTES		DR.	TOM-NGO 12-12-97		An EPCOS Company	
SPEC. NO.		CHK.		TITLE: SPECIFICATION DRAWING, AOTF		
UNLESS OTHERWISE SPECIFIED DIMENSIONS ARE IN INCHES		APPD.		SIZE: B		
TOLERANCES		APPD.		DWG. NO. 97-01776-01		REV. D
INCHES	MILLIMETERS	DESIGN ACTIVITY APPROVAL:		SCALE: 2:1		
.X ± .1	X ± 0.5	CUSTOMER APPROVAL:		SH. 1 OF 1		
.XX ± .01	.X ± 0.1					
.XXX ± .005	SURFACE FINISH 63	DO NOT SCALE DRAWING				
ANG ± .5						

4

3

2

1

D

D

C

C

B

B

A

A