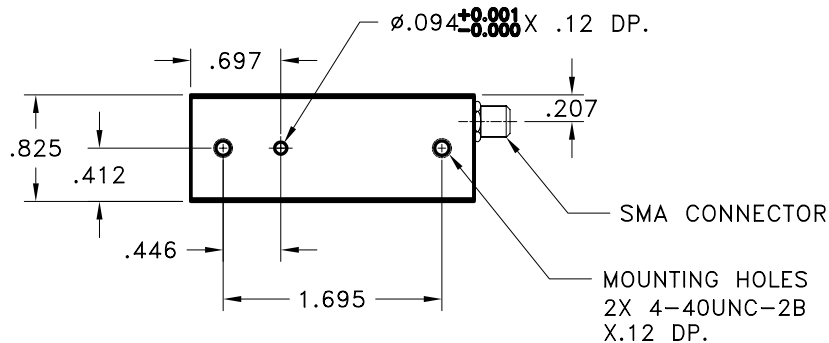
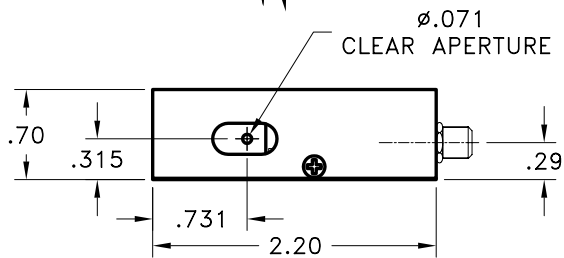
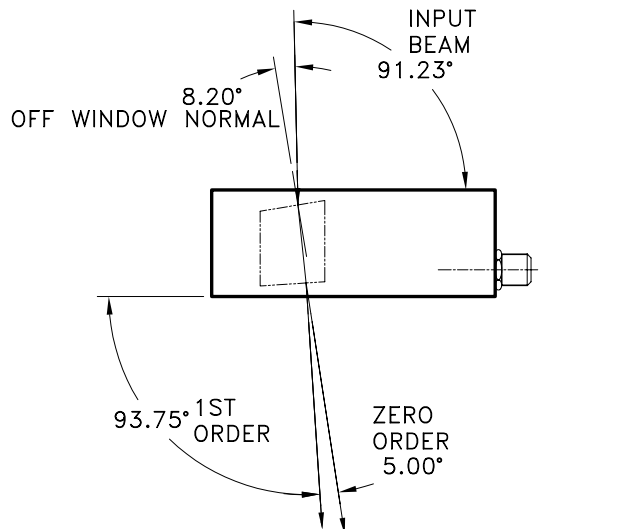



4 3 2 1



REVISIONS					
ZONE	REV	DESCRIPTION	ECO NO.	APPD.	DATE
ALL	B	REVISED PER ECO	.	NG	11/20/03

WAVELENGTH RANGE: \_\_\_\_\_ .430-.650μm  
 RF FREQUENCY: \_\_\_\_\_ 80-152MHz  
 OPTICAL APERTURE: \_\_\_\_\_ 1.8mm DIAMETER  
 INPUT OPTICAL POLARIZATION: \_\_\_\_\_ HORIZONTAL  
 OUTPUT OPTICAL POLARIZATION: \_\_\_\_\_ VERTICAL  
 SPECTRAL RESOLUTION: \_\_\_\_\_ 2.0nm  
 (FWHM)  
 OPTICAL EFFICIENCY: \_\_\_\_\_ >80%  
 (EACH WAVELENGTH, INPUT DIVERGENCE <2mrad)  
 DIFFRACTED BEAM COLLINEARITY: \_\_\_\_\_ <.01°  
 TEMPERATURE SENSITIVITY: \_\_\_\_\_ .05nm/°C  
 RANDOM WAVELENGTH ACCESS TIME: \_\_\_\_\_ <2.5μsec  
 SIMULTANEOUS DIFFRACTION: \_\_\_\_\_ ANY 8 WAVELENGTHS  
 MAX RF POWER (8 FREQ) \_\_\_\_\_ 1W

**For Reference  
Only**

THIS DOCUMENT IS THE PROPERTY OF CRYSTAL TECHNOLOGY, INC. IT IS NOT TO BE REPRODUCED OR DISCLOSED IN WHOLE OR IN PART OTHER THAN BY EMPLOYEES OF CRYSTAL TECHNOLOGY AND ITS CONTRACTED REPRESENTATIVES AND DISTRIBUTORS ANY EXCEPTION REQUIRES THE WRITTEN CONSENT OF AN AUTHORIZED REPRESENTATIVES OF CRYSTAL TECHNOLOGY.					
FINISH: N/A	CONTRACT NUMBER			<b>Crystal Technology, Inc.</b> AN EPCOS Company	
MATERIAL: N/A	DR. TOM NG	3/12/03		TITLE: PCAOM 80-152MHz	
SPEC. NO. N/A	CHK.	APPD.	SIZE B		
UNLESS OTHERWISE SPECIFIED DIMENSIONS ARE IN INCH			DWG. NO. 97-02769-01		
TOLERANCES			REV. B		
INCHES	MILLIMETERS	DESIGN ACTIVITY APPROVAL:	SCALE: 1:1		
.XX ± .01	X.XX ± 0.25	CUSTOMER APPROVAL:	SH. 1 OF 1		
.XXX ± .005	X.XXX ± 0.125	DO NOT SCALE DRAWING			
.XXXX ± .0020	SURFACE 63/				
ANG ± .5°	FINISH				

4 3 2 1