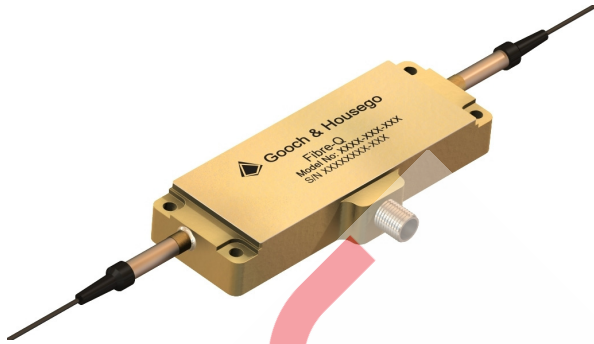


Gooch & Housego



Fibre-Q

2000nm Fibre-Coupled Acousto-Optic Modulator T-M080-0.3C2Z-3-F2S T-M080-0.3C2Z-3-F2P¹

Gooch & Housego specialise in providing optical components for high power fibre laser and amplifier systems. In-house control of critical manufacturing processes, from crystalline material selection and orientation, cutting, polishing and AR coating through to fibre coupling, ensure our components are of the highest optical quality.

The 'Fibre-Q' Acousto-Optic Modulator is designed for use in pulsed fibre laser amplifier systems and as a pulse picker for short pulse, high rep rate fibre lasers.

In addition to the standard product shown, custom configurations are available for specialised applications.

Key Features:

- Low insertion loss
- Compact, low profile package
- Rugged hermetic design
- Stable performance
- Custom configurations available

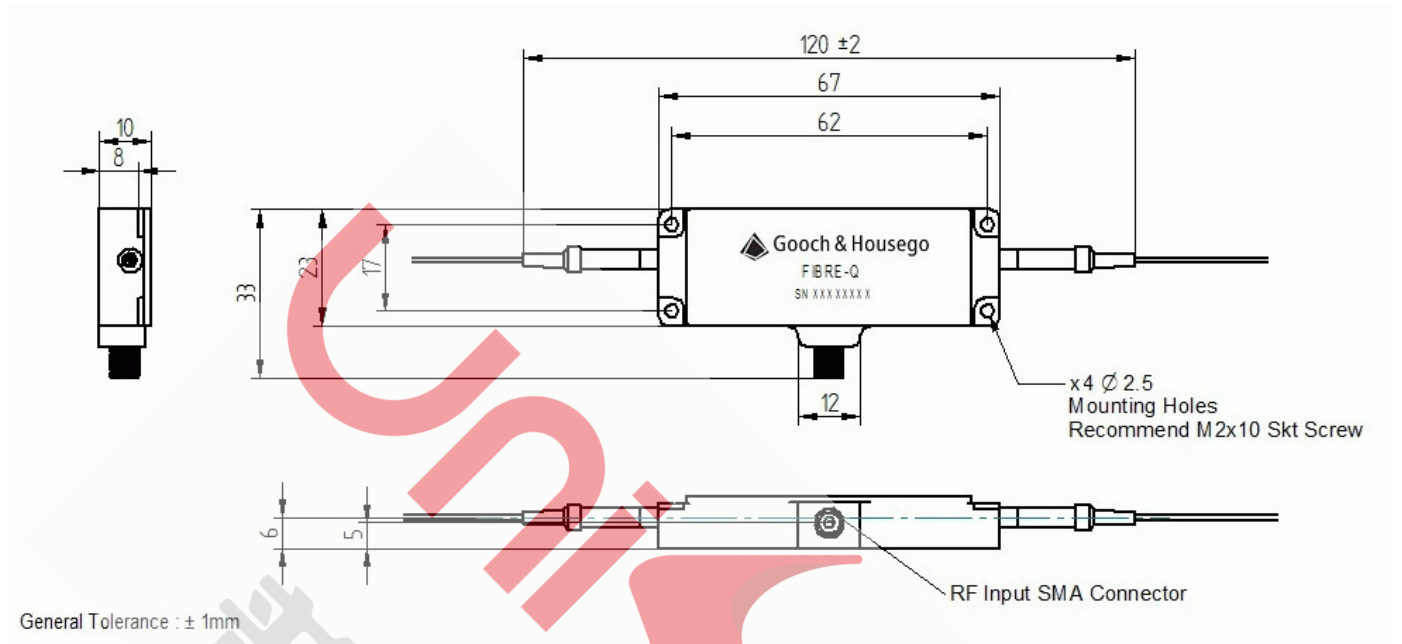
Applications:

- Fibre laser
- Pulse picker
- Optical sensing

General Specifications

Parameter	Unit	Min	Max	Typical	Comments
Interaction material:	-	-	-	-	Tellurium Dioxide
Wavelength:	nm	-	-	2000	
Average optical power handling:	W	-	5	-	
Peak optical power handling:	kW	-	30	-	Dependent on pulse width
Insertion loss:	dB	-	3	-	
Polarisation Dependant Loss	dB	-	1	0.7	
Polarisation Extinction Ratio (PER) ¹	dB	15	-	20	
Extinction ratio (1 st order on / off)	dB	50	-	-	
Return Loss (RF ON)	dB	40	-	-	
Rise-time / fall-time: (10% - 90%)	ns	-	100	70	
Frequency:	MHz	-	-	80	
VSWR:		-	1.5:1	-	
Input impedance:	Ω	-	-	50	
RF power:	W	-	6	-	Duty cycle <10%
Frequency shift:	MHz	-	-	80	Upshift
Fibre type:	-	-	-	-	Nufern SM1950 Nufern PM1950 ¹
Fibre length	m	1.5	-	-	900 μ m PVDF sleeving
Fibre termination:	-	-	-	-	Bare

¹Polarisation maintaining variant



Please send your specifications to sales@goochandhousego.com or contact your local sales representative to discuss your requirements.