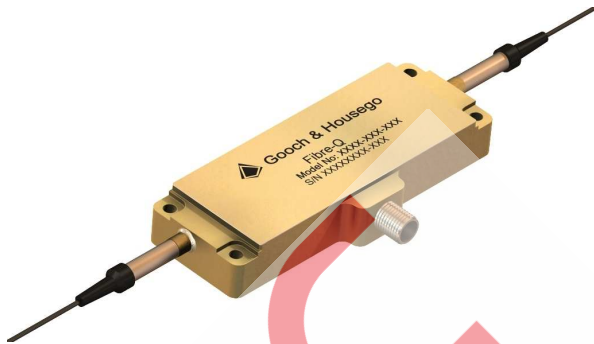


# Gooch & Housego



## Fibre-Q

### 1060nm Fibre-Coupled Acousto-Optic Modulator T-M300-0.1C2G-3-F2S T-M300-0.1C2G-3-F2P<sup>1</sup>

Gooch & Housego specialise in providing optical components for high power fibre laser and amplifier systems. In-house control of critical manufacturing processes, from crystalline material selection and orientation, cutting, polishing and AR coating through to fibre coupling, ensure our components are of the highest optical quality.

The 'Fibre-Q' Acousto-Optic Modulator is designed for use in pulsed fibre laser amplifier systems and as a pulse picker for short pulse, high rep rate fibre lasers.

In addition to the standard product shown, custom configurations are available for specialised applications.

#### Key Features:

- Low insertion loss
- Compact, low profile package
- Rugged hermetic design
- Stable performance
- Custom configurations available

#### Applications:

- Fibre laser
- Pulse picker
- Optical sensing

#### General Specifications

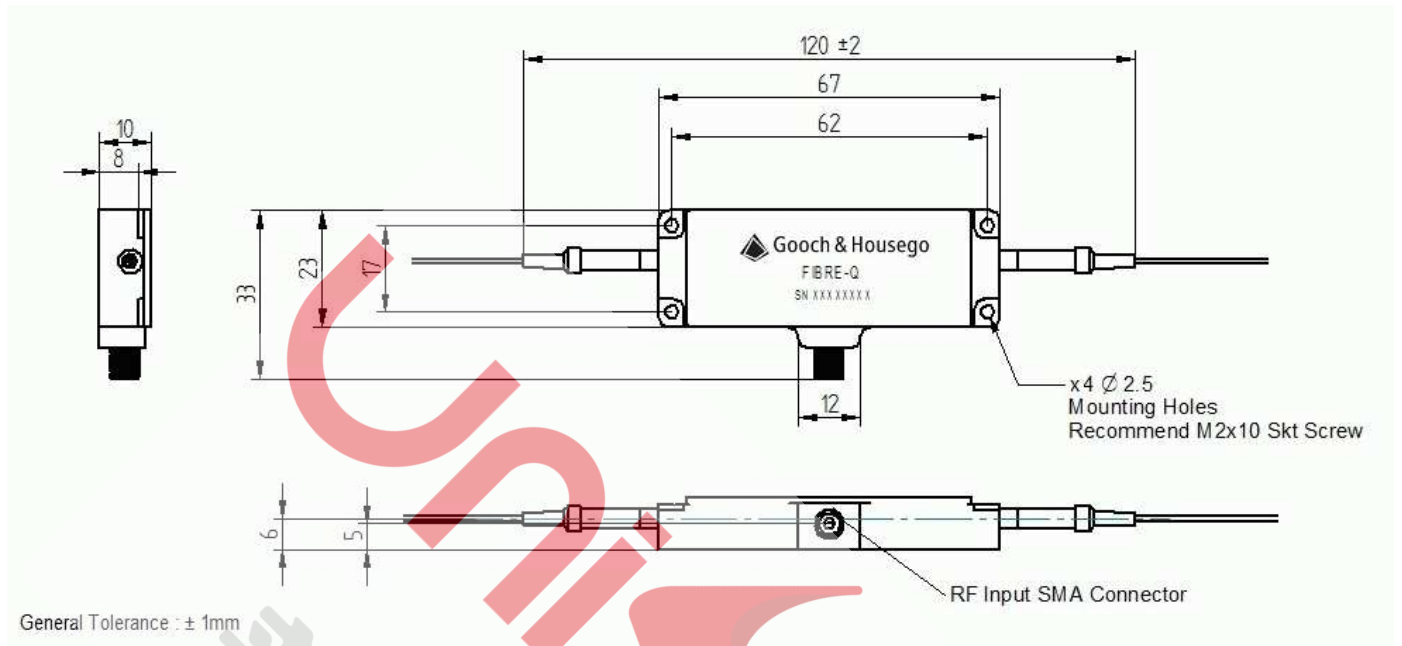
Parameter	Unit	Min	Max	Typical	Comments
Interaction material:	-	-	-	-	Tellurium Dioxide
Wavelength:	nm	-	-	1060	
Average optical power handling:	W	-	0.5	-	
Peak optical power handling:	kW	-	0.25	-	Dependent on pulse width
Insertion loss:	dB	-	3	-	
Polarisation dependant loss	dB	-	0.5	-	
Polarisation extinction ratio (PER) <sup>1</sup>	dB	15	-	20	
Extinction ratio (1 <sup>st</sup> order ON/ OFF)	dB	50	-	-	
Return loss (RF ON/ OFF)	dB	40	-	-	
Rise-time / fall-time: (10% - 90%)	ns	-	6	-	
Frequency:	MHz	-	-	300	
VSWR:		-	1.5:1	-	
Input impedance:	$\Omega$	-	-	50	
Peak RF power:	W	-	5	-	Max duty cycle 20% Max pulse-length 1 $\mu$ s
Fibre type:	-	-	-	-	HI1060 Fujikura PM980 <sup>1</sup>
Fibre length	m	1.5	-	-	900 $\mu$ m PVDF sleeving
Fibre termination:	-	-	-	-	Bare fibre

Contact: [Sales@goochandhousego.com](mailto:Sales@goochandhousego.com)

[www.goochandhousego.com](http://www.goochandhousego.com)

PEC 0194 Issue 1  
G&H Ref: 30178767  
30182202<sup>1</sup>

As part of our policy of continuous product improvement we reserve the right to change specifications at any time



Please send your specifications to [sales@goochandhousego.com](mailto:sales@goochandhousego.com) or contact your local sales representative to discuss your requirements.